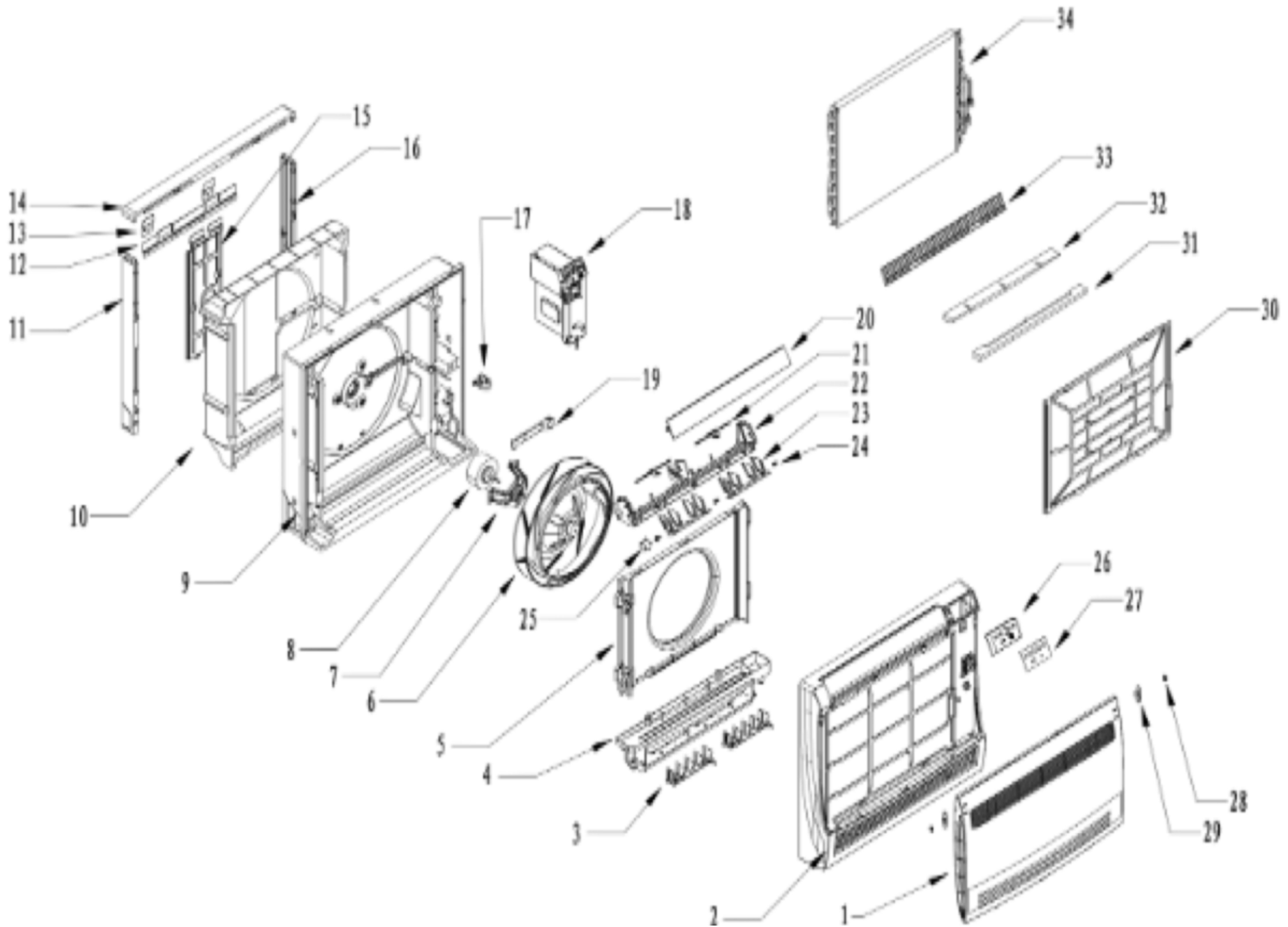


Exploded View and Replacement Parts List

1 IndoorUnit

1.1 ASV-25YTZI



No.	Part No.	Part Name	Q'ty
1	45014-001266	front panel	1
2	46601-000037	Face frame assembly	1
3	/	Lower guide vane	2
4	45008-000449	down air outlet frame assembly	1
5	45008-000252	Lead flow circle assembly	1
6	45009-000038	Centrifugal fan	1
7	45005-000276	Motor mount	1
8	25001-000049	Motor	1
9	45014-002903	Thermal insulation cotton for copper pipe	1
10	A5006-000008	Base Back Foam Assembly	1
11	45013-000054	Article decoration	1
12	45001-000002	Installation plate	1
13	45014-002500	Hook	2
14	45014-001832	Article decoration	1
15	45005-000217	Motor backplane	1
16	45014-001773	Right decorative bar	1
17	45002-000176	Pipe clamp	1
18	45006-000037	Electrical box	1
19	45014-002349	Line pressing groove	1
20	45008-000091	Article ventilation	1
21	45801-000045	Upper air guide blade lever	2
22	45008-000218	Up air outlet frame assembly	1
23	45801-000071	Upper guide vane	2
24	45008-000287	Air guide board bolt	2
25	22001-000494	Step motor	1
26	41106-022476	display front panel	1
27	41505-000323	According to diaphragm	1
28	35006-000001	Card buckle base	2
29	46701-000003	Fixed card	2
30	45014-002709	Air filter	1
31	/	Lower air outlet foam	1
32	/	Lower air outlet foam	1
33	45008-000230	Air grid protection net	1
34	95003-003364	Evaporator	1

Note

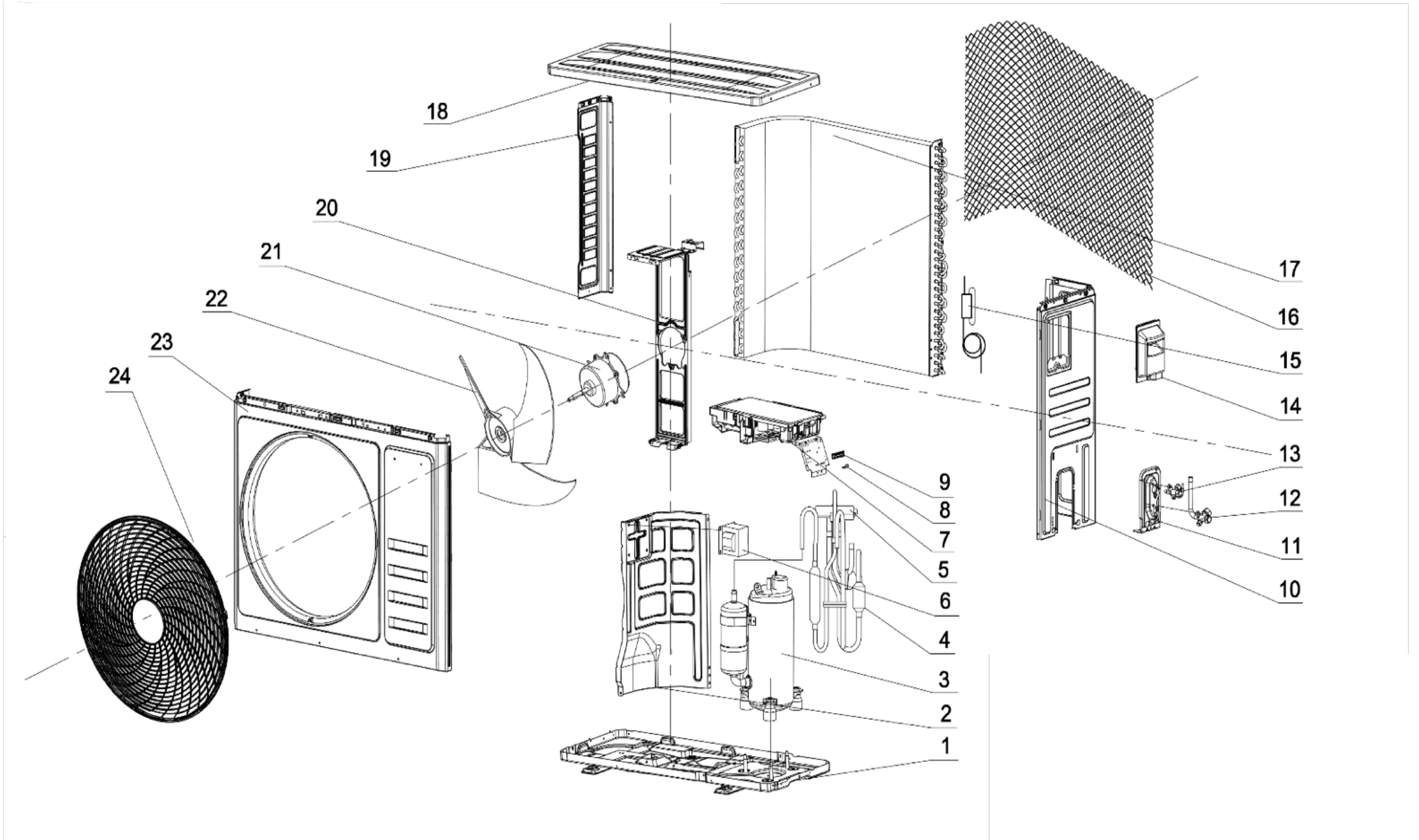
The above exploded view is for the purpose of parts disassembly and replacement.

The non-numbered parts are not kept as standard service parts.

Exploded View and Replacement Parts List

2 Outdoor Unit

2.1 ASV-25YTZO



No.	Part No.	Part Name	Q'ty
1	41202-000216	Base	1
2	41208-001050	middle metal panel	1
3	92014-000542	Compressor	1
4	92007-006065	4-way valve assembly	1
5	92008-000209	4-way valve	1
6	/		1
7	31201-001594	Outdoor PCB assembly	1
9	11304-100004	Terminal	1
10	41205-000640	Right plate	1
11	41204-000018	valve supporter	1
12	92008-000146	Three-way valve	1
13	92008-000051	Two-way valve	1
14	41201-000015	Electrical Box Cover	1
15	92007-007454	Capillary assembly	1
16	42011-000184	Back grille	1
17	92011-000657	Condenser	1
18	41207-000683	top cover ass'y	1
19	41205-000133	Left supporter	1
20	41203-001151	motor bracket assembly	1
21	22001-000049	Outdoor motor	1
22	42004-000107	Propeller fan	1
23	41206-000206	front panel	1
24	42011-000100	Fan guard	1
0	10104-100055	Sensor	1
0	41213-000023	Cover Foam	1
0	A2005-000523	Base carton	1
0	/	carton	1
0	A1202-000031	Base foam	1

Note

The above exploded view is for the purpose of parts disassembly and replacement.

The non-numbered parts are not kept as standard service parts.