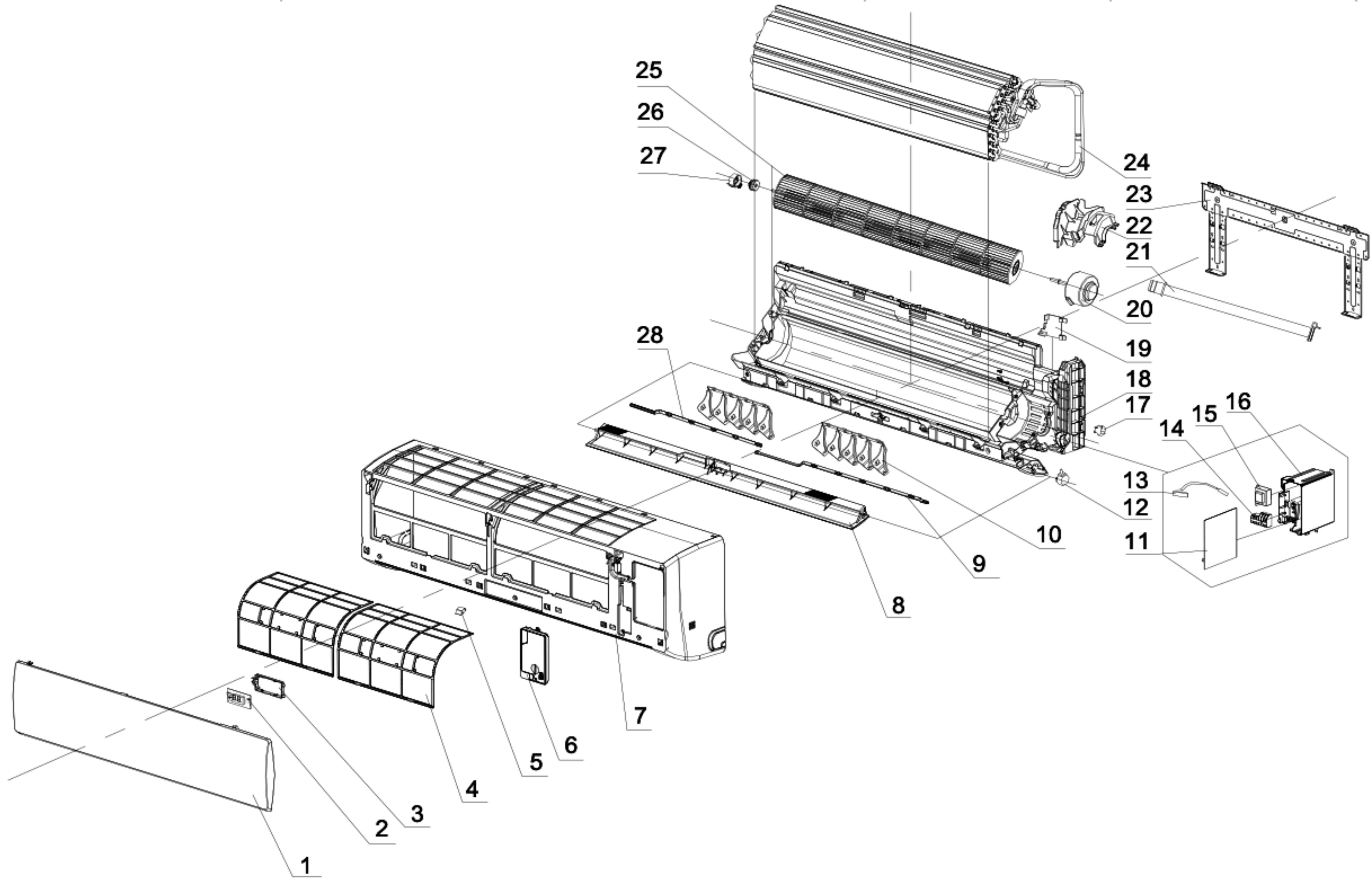


Exploded View and Replacement Parts List

1 Indoor Unit

1.1 ASW-35ETEI



No.	Part No.	Part Name	Q'ty
1	41106-002048	Front Panel	1
2	31102-000085	Display PCB	1
3	42003-000001	Display PCB Box	1
4	42008-000037	Air Filter	2
5	41108-000066	Screw Cover	1
6	41201-000068	Electrical Box Cover	1
7	41106-002371	Face Frame	1
8	41103-000101	Vane	1
9	41101-000122	Right Vertical Vane Supporter	1
10	41101-000033	Vertical Vane Assembly	2
11	31101-001786	Main PCB	1
12	22001-000313	Vane Motor	1
13	10104-100014	Indoor Sensor Assembly	1
14	11304-100028	Terminal	1
15	10502-100021	Transformer	1
16	41105-000415	Electrical Box	1
17	22001-000318	Step Motor	1
18	41199-002747	Base	1
19	41101-000242	In And Out Pipe Fixer	1
20	22001-000262	Indoor Motor	1
21	42009-000011	Drainage Hose	1
22	42003-000060	Indoor Motor Cover	1
23	41109-000042	Installation Plate	1
24	92011-006275	Evaporator	1
25	42004-000210	Cross Fan	1
26	42007-000009	Bearing Mount	1
27	41101-000251	Bearing Mount Holder	1
28	41101-000115	Vertical Vane Connector	1
29	22013-004239	Remote Controller	1
30	A1101-000660	Indoor Carton	1
31	A2006-000052	Left Foaming	1
32	A2006-000032	Right Foaming	1

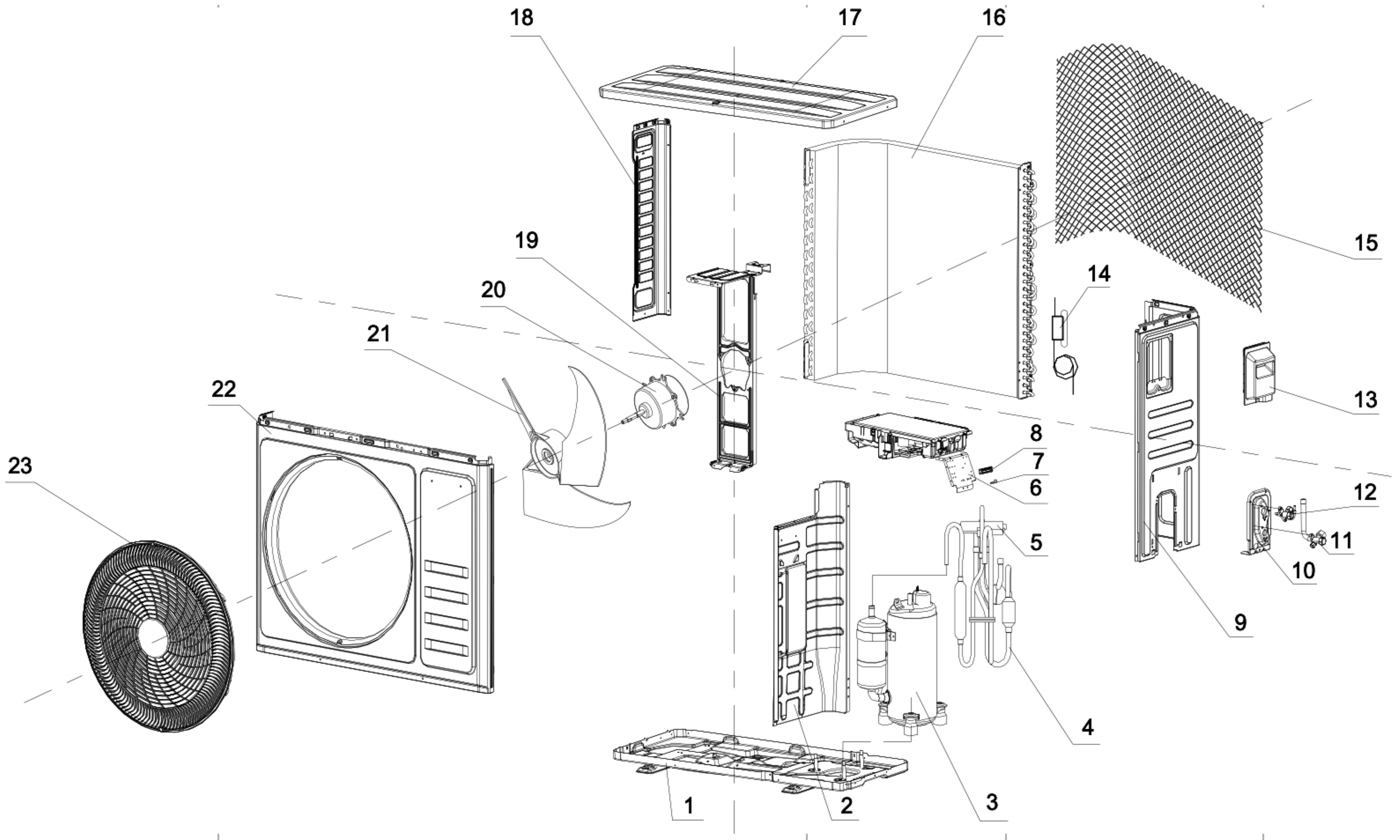
Note

The above exploded view is for the purpose of parts disassembly and replacement.

The non-numbered parts are not kept as standard service parts.

Exploded View and Replacement Parts List

2 Outdoor Unit 2.1 ASW-35ETEO



No.	Part No.	Part Name	Q'ty
1	41202-000412	Base	1
2	41208-000226	Partition plate	1
3	92014-000778	Compressor and accessories	1
4	92007-012615	4-way valve assembly	1
5	92008-000245	4-way valve	1
6	31201-002531	Outdoor PCB Assembly	1
7	42001-000038	Cable clamp	1
	42001-000035	Cable clamp	1
8	11304-100004	Terminal	1
9	41205-000212	Right plate	1
10	41204-000018	Valve supporter	1
11	92007-001041	Three-way valve	1
12	92007-007317	Two-way valve	1
13	41201-000029	Eelectronic Box Cover	1
14	92007-010505	Capillary assembly	1
15	42011-000416	Grille	1
16	92011-007808	Condenser	1
17	41207-000047	Top cover	1
18	41205-000213	Left plate	1
19	41203-000112	Outdoor motor supporter	1
20	22001-000548	Outdoor motor	1
21	42004-000192	Propeller fan	1
22	41206-000074	Front plate	1
23	42011-000415	Fan guard	1
24	10104-100129	Outdoor Temp. sensor assembly	1
25	A1201-012624	Base carton	1
26	A1201-012623	Cabinet carton	1
27	A1202-000084	Base foaming	1
28	A1202-000083	Cover foaming	1

Note
The above exploded view is for the purpose of parts disassembly and replacement.
The non-numbered parts are not kept as standard service parts.